



J C BAMFORD EXCAVATORS LTD

Rocester
Staffordshire
England ST14 5JP
tel : +44 (0)1889 590312
fax : +44 (0)1889 591287
www.jcb.com



4996rwa/mjn
1 December 2003

Mr P Reeve
Solicitor
Smith Partnership
4th Floor Celtic House
Heritage Gate
Friary Street
DERBY
DE1 1LS

Dear Mr Reeve

REF: DAVID ALAN WALKER

I have returned one of your colour photographs (No. 2) with the steps shown in our parts book fitted in their respective positions. However, it was a customer option on which steps were fitted. Most UK builds were fitted with Step 3 only.

Yours sincerely

R W ALLSOPP
Principal Engineer
Backhoe Loader Business Unit



Customer options / single step preference
usually because of ONSITE accidental damage.
more steps = more problems!



photos shows: — step B fitted only at factory.
A & C are missing having never
been fitted!
Para 1-12-03

3D-4 Australia

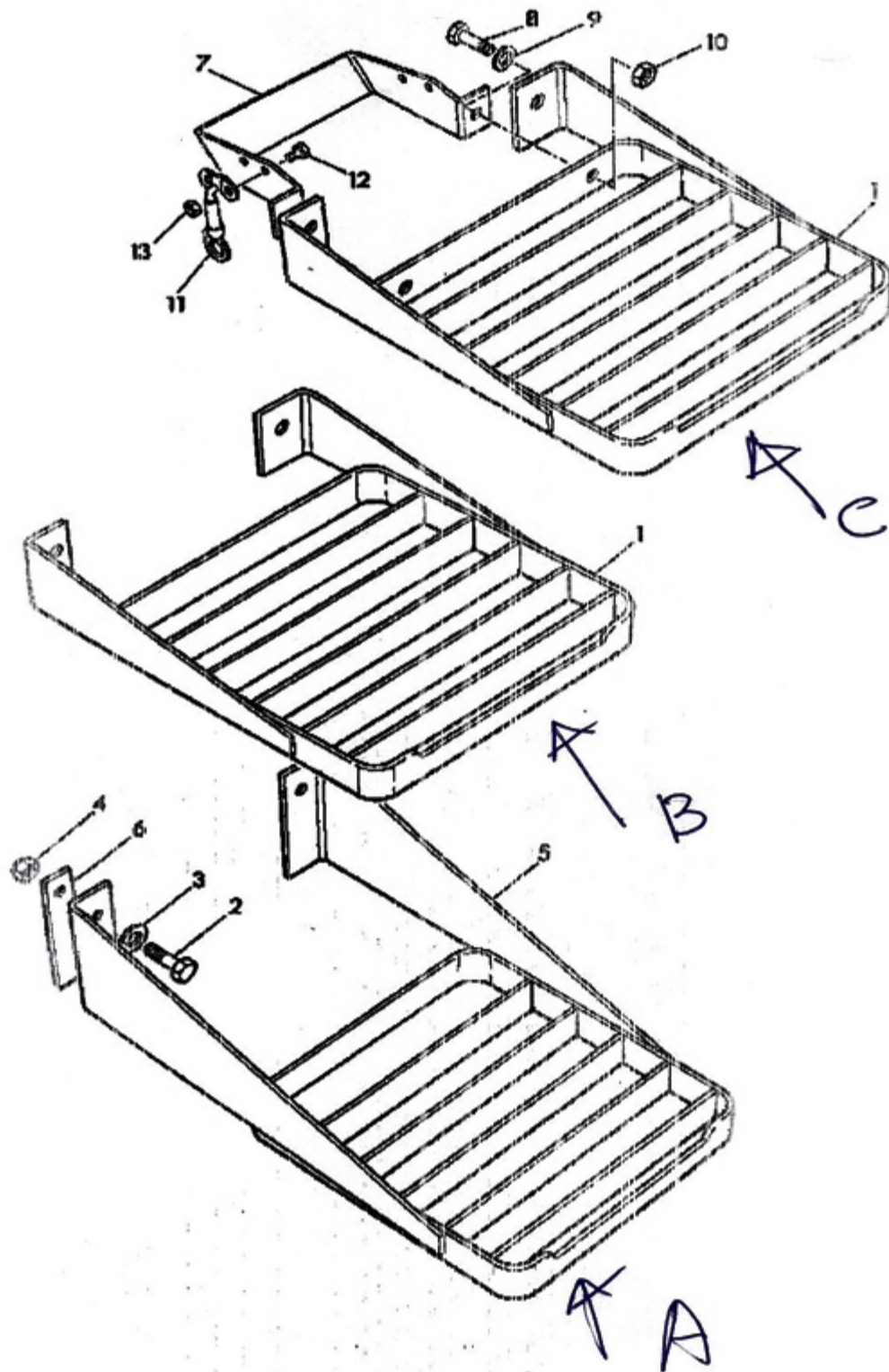
4C Turbo

4CN-2

4CN-4

Philip Reeve

01332 225 223



07:000